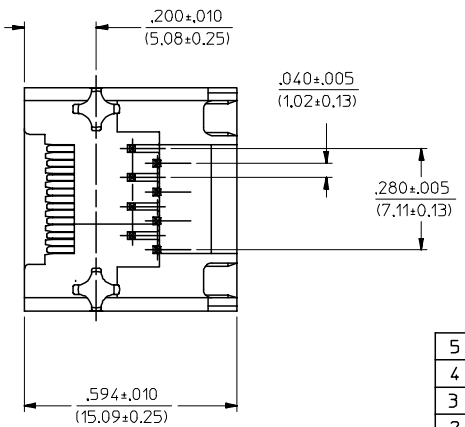
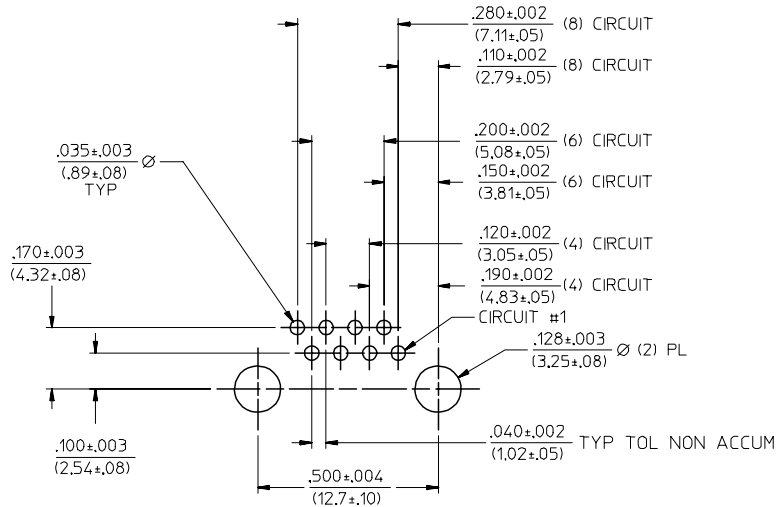
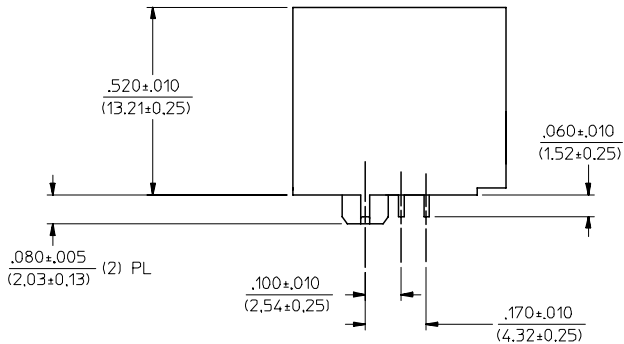
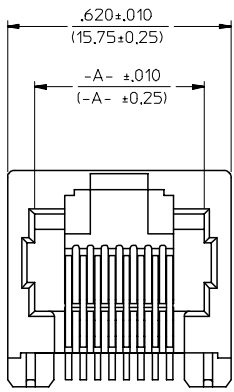


NOTES

- 1) MATERIAL:
HOUSING: GLASS FILLED NYLON, 94V-0 COLOR: BLACK
TERMINALS: PHOSPHOR BRONZE, .015/(0.38) THICK
SHIELD: BRASS
- 2) PLATING:
TERMINALS:
SELECT GOLD IN CONTACT AREA: 50 MICROINCHES MIN.,
*SELECT TIN IN PC TAIL AREA: 100 MICROINCHES MIN.,
WITH OVERALL NICKEL UNDERPLATE: 50 MICROINCHES MIN.,
*THE PRIMARY SHIPPING CARTON WILL BE LABELED *COMPLIANT
TO RoHS DIRECTIVE 2002/95/EC AND ELV ANNEX II OF DIRECTIVE
2000/53/EC*. CARTONS WITHOUT THIS LABEL MAY CONTAIN
PRODUCT WITH TIN-LEAD IN THE PC TAIL AREA.
- 3) PRODUCT SPECIFICATION:
CONNECTOR PERFORMANCE SPECIFICATIONS PER MOLEX
PRODUCT SPECIFICATION PS-43860-003
- 4) PACKAGING OPTIONS:
CONNECTOR ASSEMBLIES IN EXTRUDED TUBES
PER PACKAGING SPECIFICATION PK-43860-004
- 5) ALL UNTOLERANCED DIMENSIONS ARE SHOWN FOR
REFERENCE ONLY
- 6) CONFORMS TO F.C.C. REGULATION PART 68.5 FOR MODULAR JACKS



PC BOARD LAYOUT
COMPONENT SIDE OF BOARD
RECOMMENDED PC BOARD THICKNESS .039/1.00

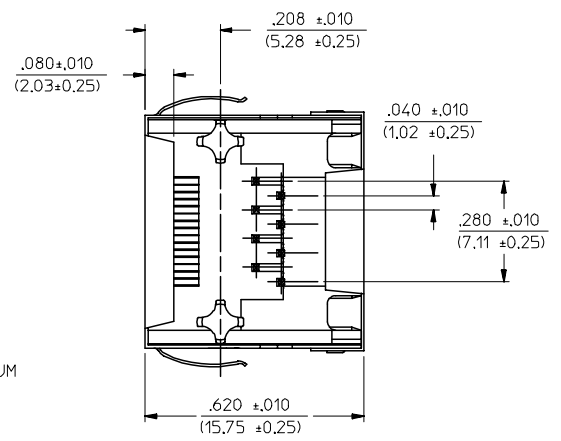
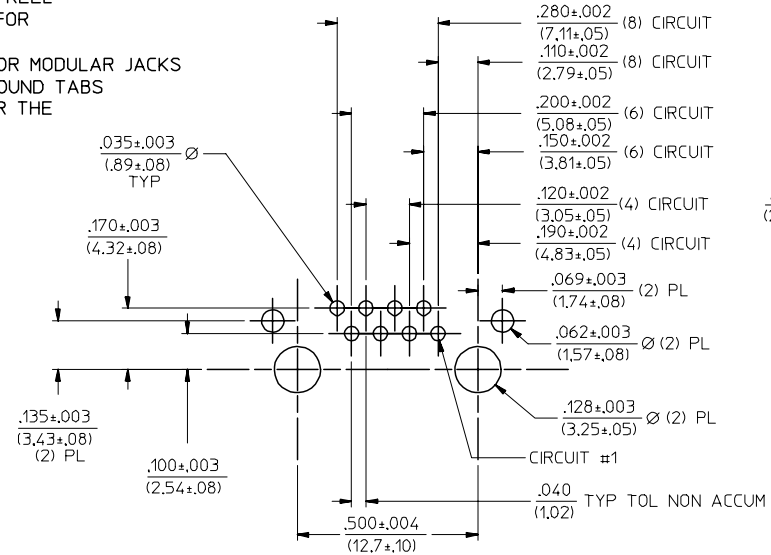
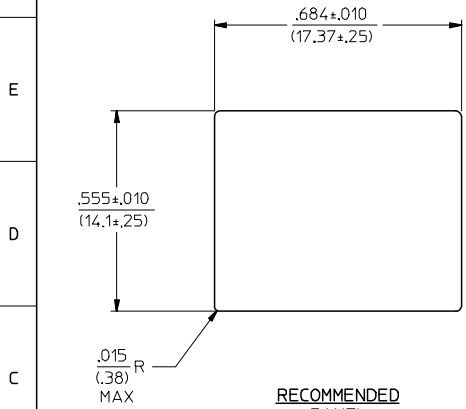
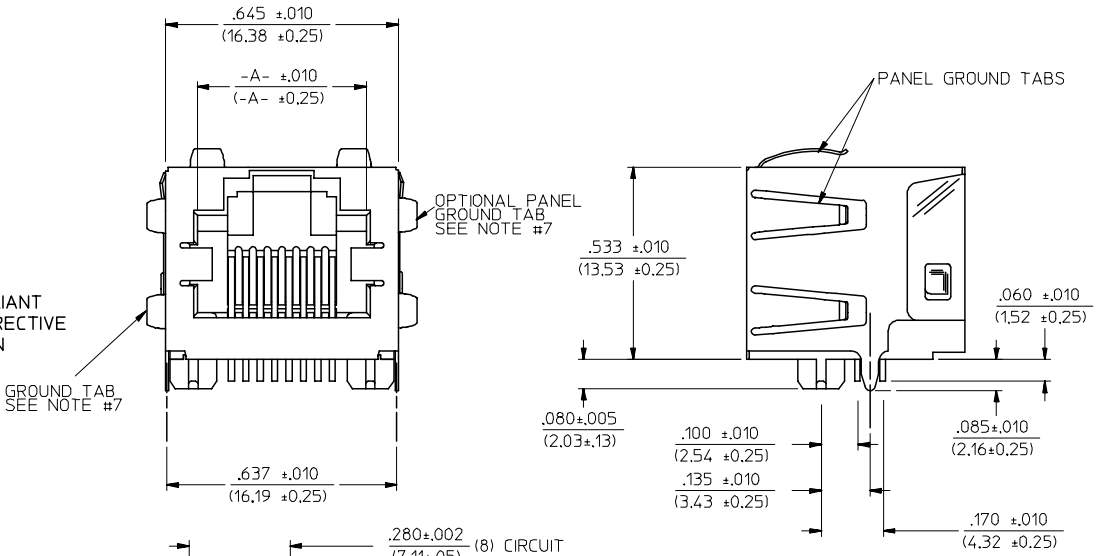
5	B
4	B
3	B
2	B
1	B
SH	REV

MATERIAL NUMBER	CONNECTOR SIZE	DIM. "A"	CIRCUITS
44380-0001	8	.470	8
44380-0002	6	.389	6
44380-0003	6	.389	4
44380-0019	8	.470	4

LEAD FREE PLATING EC NO: UCP2004-1571 DRWN:LSCHMIDT 2004/02/26 CHKD:LSCHMIDT 2004/02/26 APPR:FSMITH 2004/03/01	QUALITY SYMBOLS ▽ = 0 ▽ = 0	GENERAL TOLERANCES (UNLESS SPECIFIED) mm INCH 4 PLACES ± --- ± --- 3 PLACES ± --- ± --- 2 PLACES ± --- ± --- 1 PLACE ± --- ± --- ANGULAR ±1/2°	SCALE 4:1 DESIGN UNITS INCH DIMENSION STYLE IN/MM	THIRD ANGLE PROJECTION REVISE ON CAD ONLY
	TITLE INVERTED MODULAR MODJACK ASSEMBLY (MINI-PCI COMPLIANT)		DRAWN BY MAYO DATE 1999/04/09 CHECKED BY ROBERTS DATE 1999/04/09	SHEET NO. 1 OF 5
	DRAFT WHERE APPLICABLE MUST REMAIN WITHIN DIMENSIONS		MOLEX MOLEX INCORPORATED MATERIAL NO. SEE CHART DOCUMENT NO. SD-44380-001	
	THIS DRAWING CONTAINS INFORMATION THAT IS PROPRIETARY TO MOLEX INCORPORATED AND SHOULD NOT BE USED WITHOUT WRITTEN PERMISSION			

NOTES

- 1) MATERIAL:
HOUSING: GLASS FILLED NYLON, 94V-0 COLOR: BLACK
TERMINALS: PHOSPHOR BRONZE, .015/(0.38) THICK
SHIELD: BRASS
- 2) PLATING:
TERMINALS:
SELECT GOLD IN CONTACT AREA: 50 MICROINCHES MIN.,
*SELECT TIN IN PC TAIL AREA: 100 MICROINCHES MIN.,
WITH OVERALL NICKEL UNDERPLATE: 50 MICROINCHES MIN.
SHIELD:
*100 MICROINCHES NICKEL OVER 50 MICROINCHES COPPER
UNDERPLATE, PCB GROUND TABS DIPPED IN TIN
*THE PRIMARY SHIPPING CARTON WILL BE LABELED *COMPLIANT
TO RoHS DIRECTIVE 2002/95/EC AND ELV ANNEX II OF DIRECTIVE
2000/53/EC*. CARTONS WITHOUT THIS LABEL MAY CONTAIN
PRODUCT WITH TIN-LEAD IN THE PC TAIL AREA.
- 3) PRODUCT SPECIFICATION:
CONNECTOR PERFORMANCE SPECIFICATIONS PER MOLEX
PRODUCT SPECIFICATION PS-43860-003
- 4) PACKAGING OPTIONS:
CONNECTOR ASSEMBLIES IN THERMOFORMED TRAYS
PER PACKAGING SPECIFICATION PK-44380-005
OPTION (44380-2004) PACKAGED IN TAPE AND REEL
- 5) ALL UNTOLERANCED DIMENSIONS ARE SHOWN FOR
REFERENCE ONLY
- 6) CONFORMS TO F.C.C. REGULATION PART 68.5 FOR MODULAR JACKS
- 7) AVAILABLE WITH THE (2) SPECIFIED PANEL GROUND TABS
OMITTED FOR SIDE TO SIDE STACKABILITY, PER THE
ASSEMBLY MATERIAL NUMBER TABLE



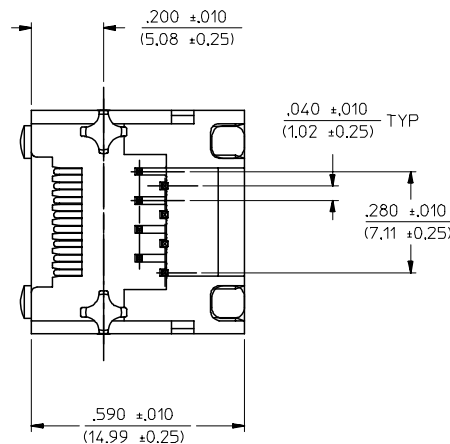
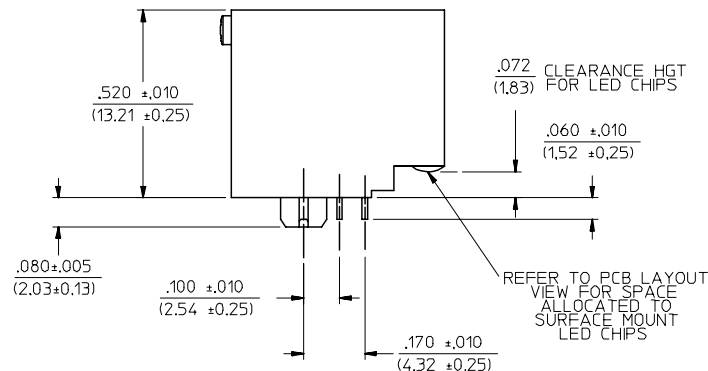
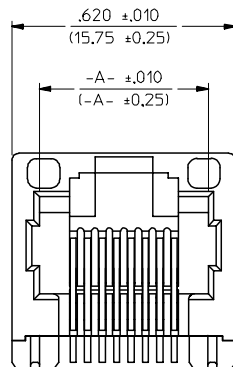
PC BOARD LAYOUT
COMPONENT SIDE OF BOARD
RECOMMENDED PC BOARD THICKNESS: .039/100

MATERIAL NUMBER	CONNECTOR SIZE	DIM. "A"	CIRCUITS	PANEL GROUND TABS
44380-0004	8	.470	8	ALL
44380-0005	6	.389	6	ALL
44380-0006	6	.389	4	ALL
44380-0013	8	.470	8	SEE NOTE #7
44380-0014	6	.389	6	SEE NOTE #7
44380-0015	6	.389	4	SEE NOTE #7
44380-2004	8	.470	8	ALL

SEE SHEET ONE EC NO: UCP2004-1571 DR: WNL:LSCHMIDT 2004/02/26 CHKD:LSCHMIDT 2004/02/26 APPR:FSMITH 2004/03/01	QUALITY SYMBOLS ▽ = 0 ▽ = 0	GENERAL TOLERANCES (UNLESS SPECIFIED) mm INCH 4 PLACES ± --- ± --- 3 PLACES ± --- ± --- 2 PLACES ± --- ± --- 1 PLACE ± --- ± --- ANGULAR ±1/2°	SCALE 4:1 DESIGN UNITS INCH DIMENSION STYLE IN/MM	THIRD ANGLE PROJECTION REVISE ON CAD ONLY
		DRAFT WHERE APPLICABLE MUST REMAIN WITHIN DIMENSIONS	DRAWN BY MAYO DATE 1999/04/09 CHECKED BY ROBERTS DATE 1999/04/09 APPROVED BY ROBERTS DATE 1999/04/09	TITLE INVERTED MODULAR MODJACK ASSEMBLY (MINI-PCI COMPLIANT) MOLEX MOLEX INCORPORATED

NOTES

- 1) MATERIAL:
 - HOUSING: GLASS FILLED NYLON, 94V-0, COLOR: BLACK
 - TERMINALS: PHOSPHOR BRONZE, .015/(0.38) THK
 - LIGHTPIPE: POLYCARBONATE-HEAT DEFLECTION TEMPERATURE: 270° F (132°C)
- 2) PLATING:
 - TERMINAL: SELECT GOLD IN CONTACT AREA: 50 MICROINCHES MIN., *SELECT TIN IN PC TAIL AREA: 100 MICROINCHES MIN., WITH OVERALL NICKEL UNDERPLATE: 100 MICROINCHES MIN. *THE PRIMARY SHIPPING CARTON WILL BE LABELED *COMPLIANT TO RoHS DIRECTIVE 2002/95/EC AND ELV ANNEX II OF DIRECTIVE 2000/53/EC*. CARTONS WITHOUT THIS LABEL MAY CONTAIN PRODUCT WITH TIN-LEAD IN THE PC TAIL AND/OR SHIELD.
- 3) PRODUCT SPECIFICATION: CONNECTOR PERFORMANCE SPECIFICATIONS PER MOLEX PRODUCT SPECIFICATION PS-43860-003
- 4) PACKAGING: CONNECTOR ASSEMBLIES IN EXTRUDED TUBES PER PACKAGING SPECIFICATION PK-43860-004
- 5) ALL UNTOLERANCED DIMENSIONS ARE SHOWN FOR REFERENCE ONLY.
- 6) CONFORMS TO F.C.C. REGULATION PART 68.5 FOR MODULAR JACKS
- 7) REFER TO PAGE (5) OF (5) FOR RECOMMENDED PCB LAYOUT

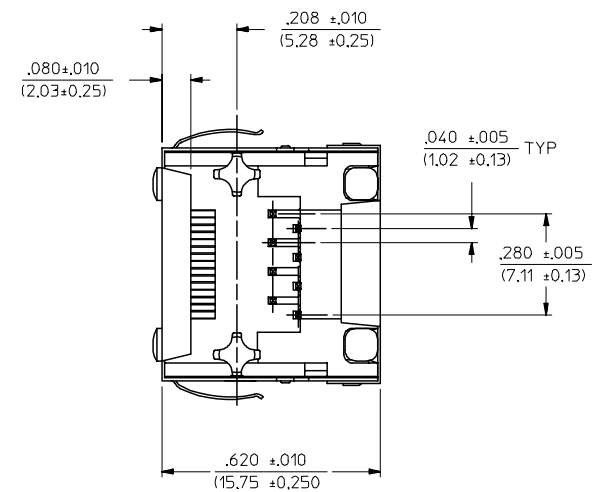
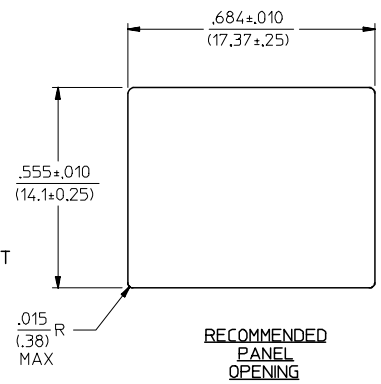
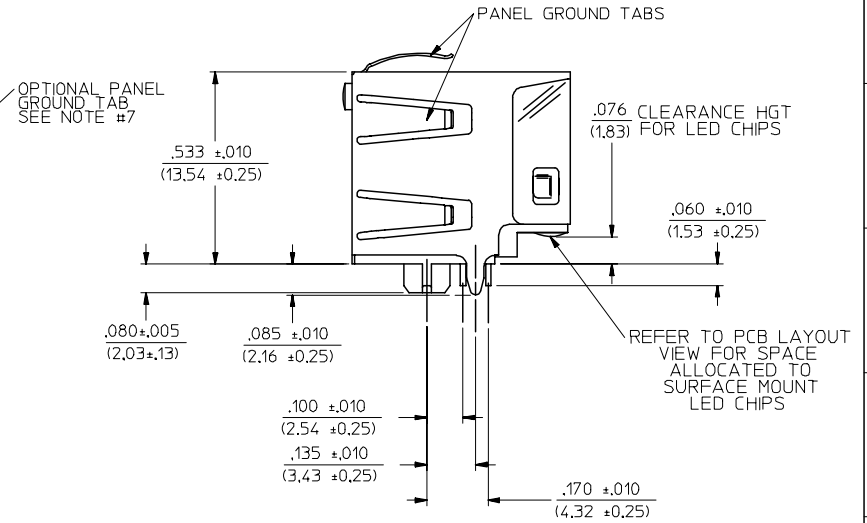
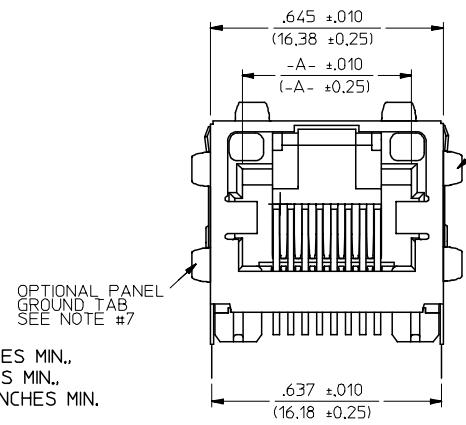


MATERIAL NUMBER	LIGHTPIPE MATERIAL	CONNECTOR SIZE	DIM. "A"	CIRCUITS
44380-0007	POLYCARBONATE	8	.470	8
44380-0008	POLYCARBONATE	6	.389	6
44380-0009	POLYCARBONATE	6	.389	4

SEE SHEET ONE EC NO: UCP2004-1571 DRWNL: SCHMIDT 2004/02/26 CHKD: SCHMIDT 2004/02/26 APPR: F SMITH 2004/03/01	QUALITY SYMBOLS	GENERAL TOLERANCES (UNLESS SPECIFIED)	SCALE 4:1	DESIGN UNITS INCH	THIRD ANGLE PROJECTION	REVISE ON CAD ONLY															
	▽ = 0 ▽ = 0	<table border="1"> <thead> <tr> <th></th> <th>mm</th> <th>INCH</th> </tr> </thead> <tbody> <tr> <td>4 PLACES ±</td> <td>± .005</td> <td>± .0004</td> </tr> <tr> <td>3 PLACES ±</td> <td>± .004</td> <td>± .0003</td> </tr> <tr> <td>2 PLACES ±</td> <td>± .003</td> <td>± .0002</td> </tr> <tr> <td>1 PLACE ±</td> <td>± .002</td> <td>± .0001</td> </tr> </tbody> </table>		mm	INCH	4 PLACES ±	± .005	± .0004	3 PLACES ±	± .004	± .0003	2 PLACES ±	± .003	± .0002	1 PLACE ±	± .002	± .0001	DIMENSION STYLE IN/MM		TITLE	
			mm	INCH																	
		4 PLACES ±	± .005	± .0004																	
3 PLACES ±	± .004	± .0003																			
2 PLACES ±	± .003	± .0002																			
1 PLACE ±	± .002	± .0001																			
DRAFT WHERE APPLICABLE MUST REMAIN WITHIN DIMENSIONS		DRAWN BY MAYO DATE 1999/04/09 CHECKED BY ROBERTS DATE 1999/04/09 APPROVED BY ROBERTS DATE 1999/04/09	INVERTED MODULAR JACK ASSEMBLY (MINI-PCI COMPATIBLE) MOLEX INCORPORATED MATERIAL NO. SEE CHART DOCUMENT NO. SD-44380-001 SHEET NO. 3 OF 5																		
THIS DRAWING CONTAINS INFORMATION THAT IS PROPRIETARY TO MOLEX INCORPORATED AND SHOULD NOT BE USED WITHOUT WRITTEN PERMISSION																					

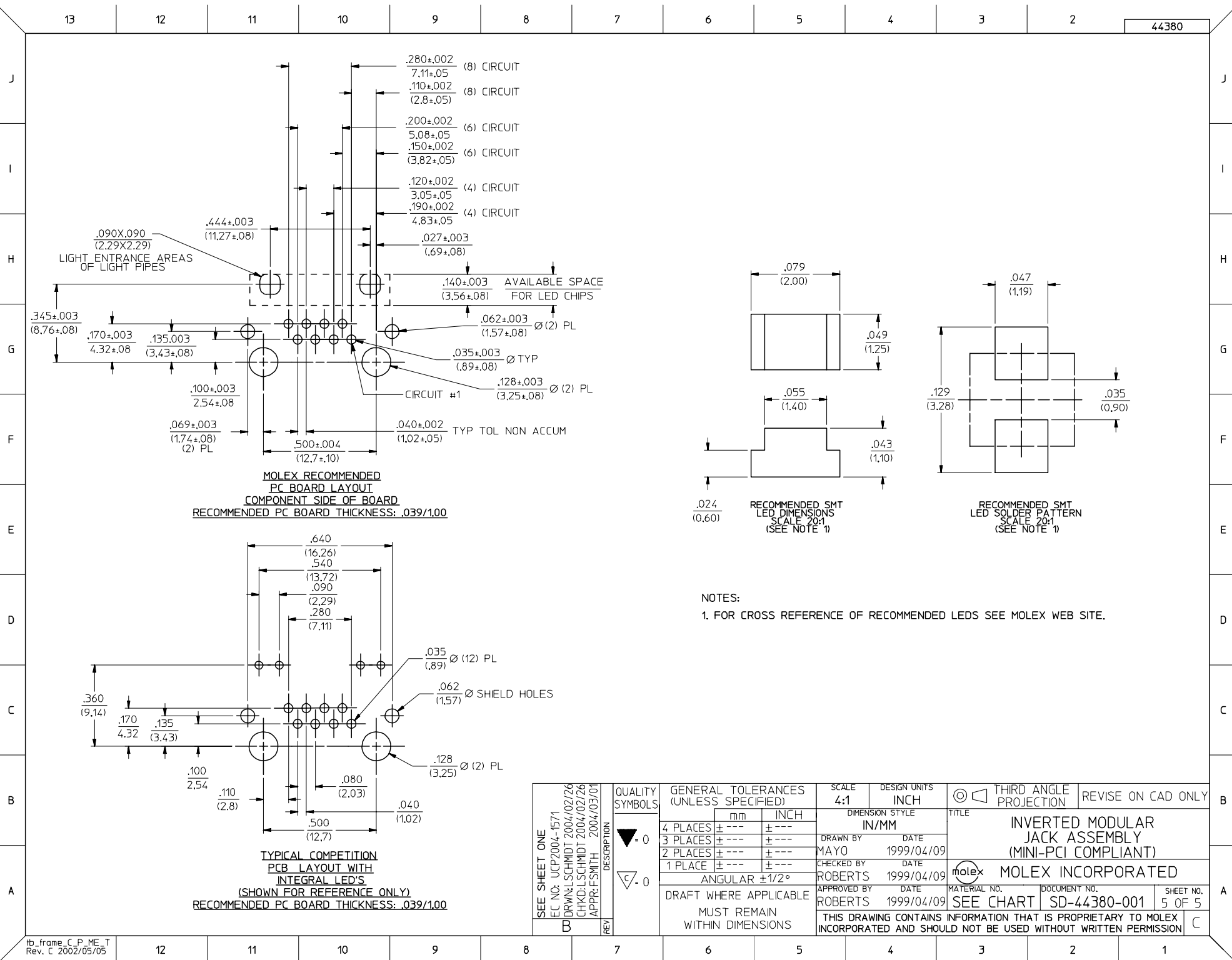
NOTES

- 1) MATERIAL:
 - HOUSING: GLASS FILLED NYLON, 94V-0, COLOR: BLACK
 - TERMINALS: PHOSPHOR BRONZE, .015/(0.38) THK
 - SHIELD: BRASS
 - LIGHTPIPE: POLYCARBONATE-HEAT DEFLECTION TEMPERATURE: 270° F (132°C)
 - POLYSULFONE-HEAT DEFLECTION TEMPERATURE: 345° F (174°C)
- 2) PLATING:
 - TERMINAL: SELECT GOLD IN CONTACT AREA: 50 MICROINCHES MIN., *SELECT TIN IN PC TAIL AREA: 100 MICROINCHES MIN., WITH OVERALL NICKEL UNDERPLATE: 50 MICROINCHES MIN.
 - SHIELD: *100 MICROINCHES NICKEL OVER 50 MICROINCHES COPPER UNDERPLATE, PCB GROUND TABS DIPPED IN TIN. *THE PRIMARY SHIPPING CARTON WILL BE LABELED "COMPLIANT TO RoHS DIRECTIVE 2002/95/EC AND ELV ANNEX II OF DIRECTIVE 2002/53/EC". CARTONS WITHOUT THIS LABEL MAY CONTAIN PRODUCT WITH TIN-LEAD IN THE PC TAIL AND/OR SHIELD.
- 3) PRODUCT SPECIFICATION: CONNECTOR PERFORMANCE SPECIFICATIONS PER MOLEX
- 4) PACKAGING: CONNECTOR ASSEMBLIES IN THERMOFORMED TRAYS PER PACKAGING SPECIFICATION PK-44380-005
- 5) ALL UNTOLERANCED DIMENSIONS ARE SHOWN FOR REFERENCE ONLY.
- 6) CONFORMS TO F.C.C. REGULATION PART 68.5 FOR MODULAR JACKS
- 7) AVAILABLE WITH THE (2) SPECIFIED PANEL GROUND TABS OMITTED FOR SIDE TO SIDE STACKABILITY, PER THE ASSEMBLY MATERIAL NUMBER TABLE
- 8) REFER TO SHEET (5) OF (5) FOR RECOMMENDED PCB LAYOUT



MATERIAL NUMBER	LIGHTPIPE MATERIAL	CONNECTOR SIZE	DIM. "A"	CIRCUITS	PANEL GROUND TABS
44380-0010	POLYCARBONATE	8	.470	8	ALL
44380-0011	POLYCARBONATE	6	.389	6	ALL
44380-0012	POLYCARBONATE	6	.389	4	ALL
44380-0016	POLYCARBONATE	8	.470	8	SEE NOTE #6
44380-0017	POLYCARBONATE	6	.389	6	SEE NOTE #6
44380-0018	POLYCARBONATE	6	.389	4	SEE NOTE #6
44380-1010	POLYSULFONE	8	.470	8	ALL
44380-1011	POLYSULFONE	6	.389	6	ALL
44380-1012	POLYSULFONE	6	.389	4	ALL
44380-1016	POLYSULFONE	8	.470	8	SEE NOTE #6
44380-1017	POLYSULFONE	6	.389	6	SEE NOTE #6
44380-1018	POLYSULFONE	6	.389	4	SEE NOTE #6

SEE SHEET ONE EC NO: UCP2004-1571 DRW: LLSCHMIDT 2004/02/26 CHKD: LLSCHMIDT 2004/02/26 APPR: F SMITH 2004/03/01	QUALITY SYMBOLS ▽ = 0 ▽ = 0	GENERAL TOLERANCES (UNLESS SPECIFIED) mm INCH 4 PLACES ± --- ± --- 3 PLACES ± --- ± --- 2 PLACES ± --- ± --- 1 PLACE ± --- ± --- ANGULAR ±1/2°	SCALE 4:1 DESIGN UNITS INCH DIMENSION STYLE IN/MM	THIRD ANGLE PROJECTION REVISE ON CAD ONLY
		DRAFT WHERE APPLICABLE MUST REMAIN WITHIN DIMENSIONS	DRAWN BY MAYO DATE 1999/04/09 CHECKED BY ROBERTS DATE 1999/04/09 APPROVED BY ROBERTS DATE 1999/04/09	TITLE INVERTED MODULAR JACK ASSEMBLY (MINI-PCI COMPLIANT) MOLEX MOLEX INCORPORATED



NOTES:
1. FOR CROSS REFERENCE OF RECOMMENDED LEDES SEE MOLEX WEB SITE.